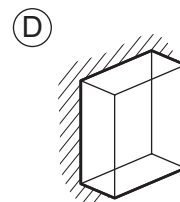
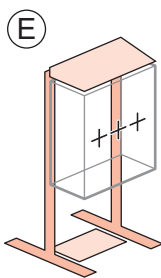
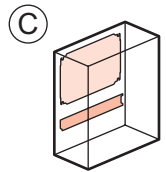
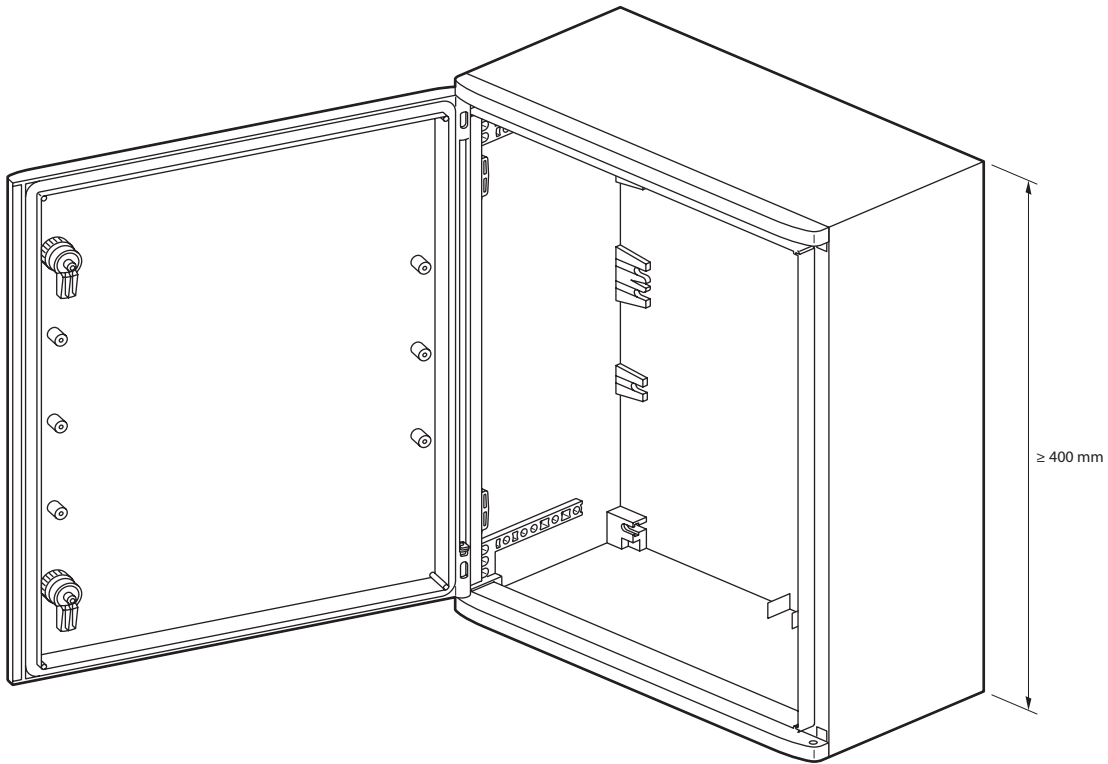
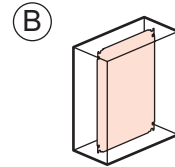
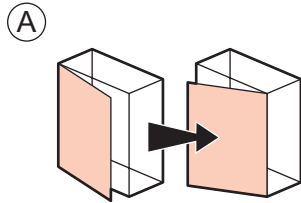
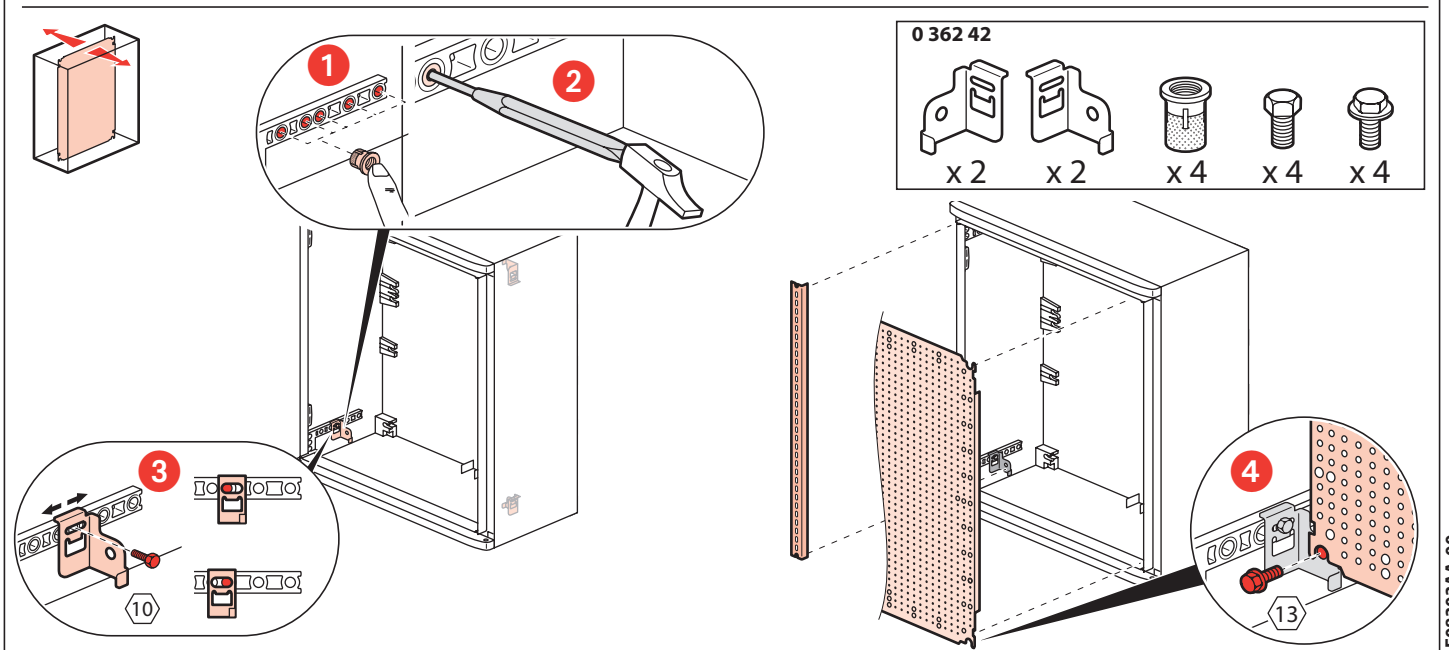
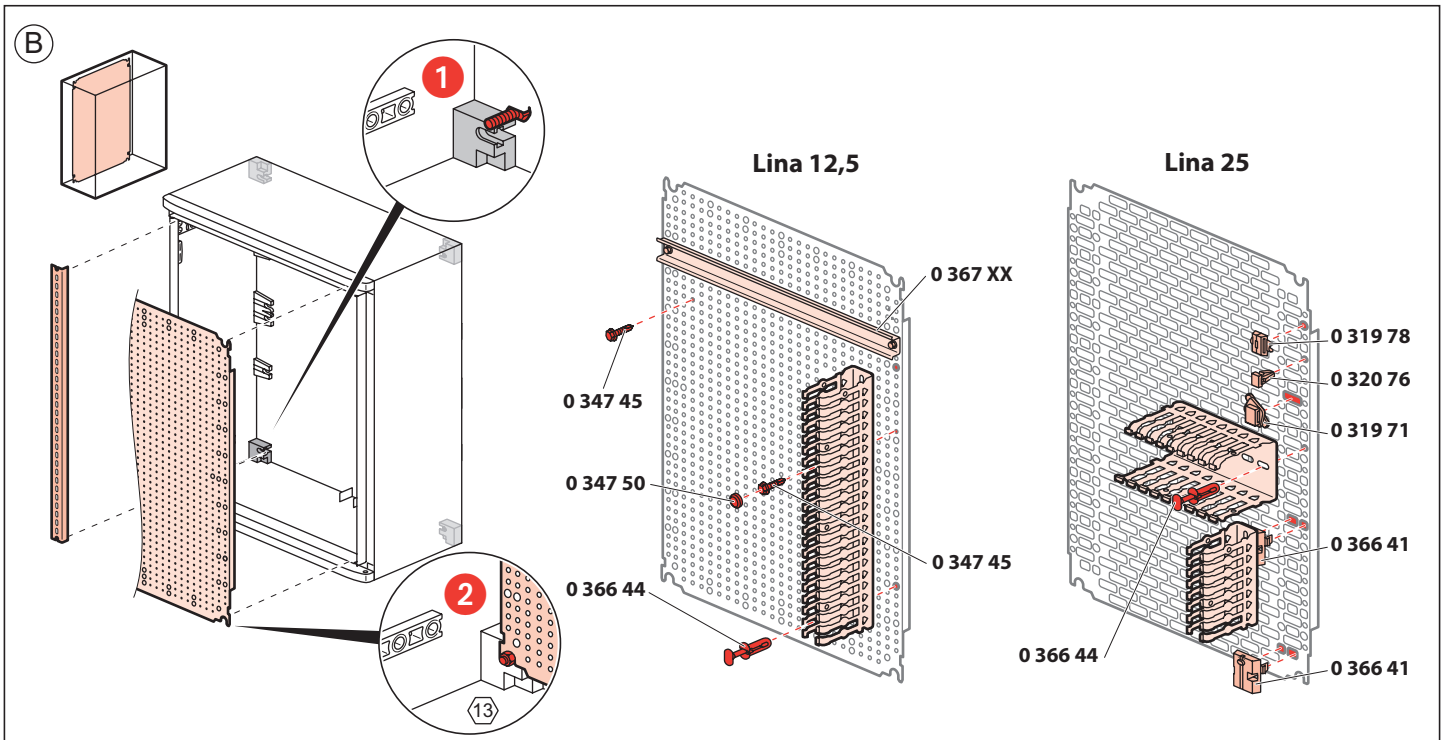
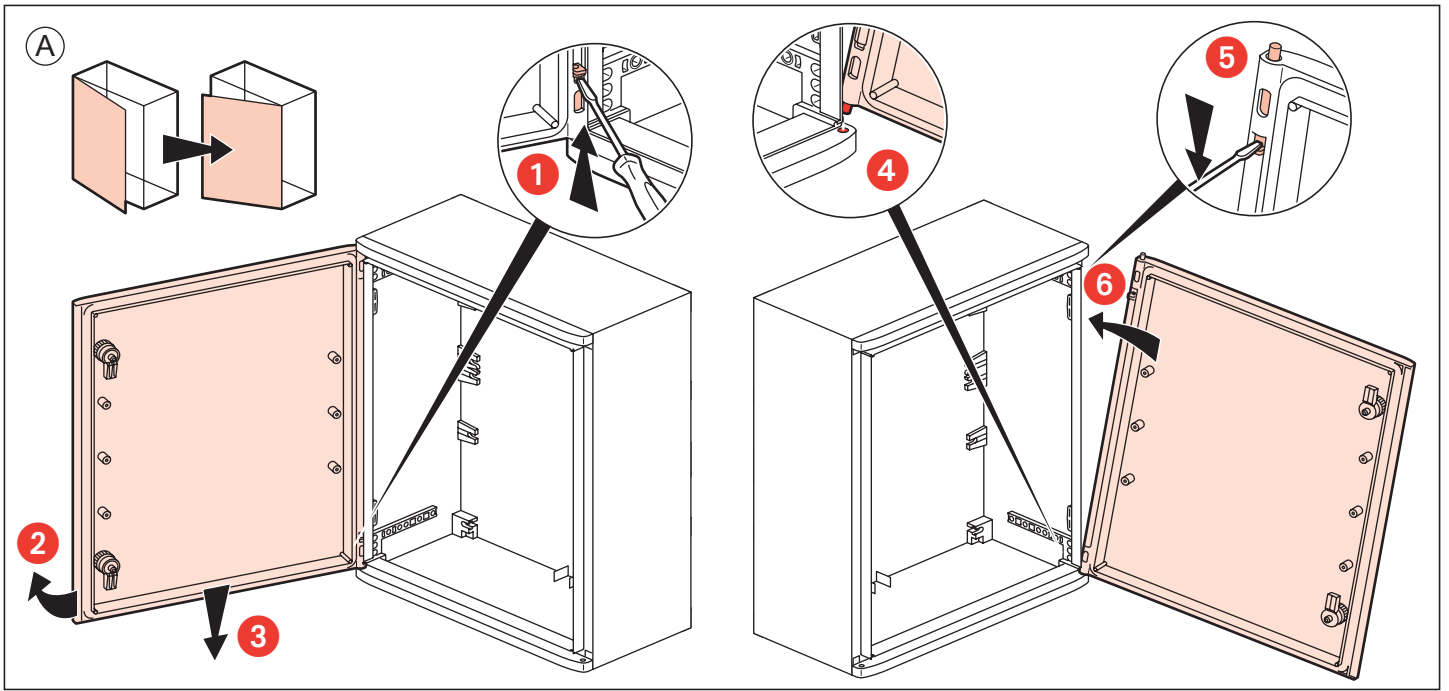
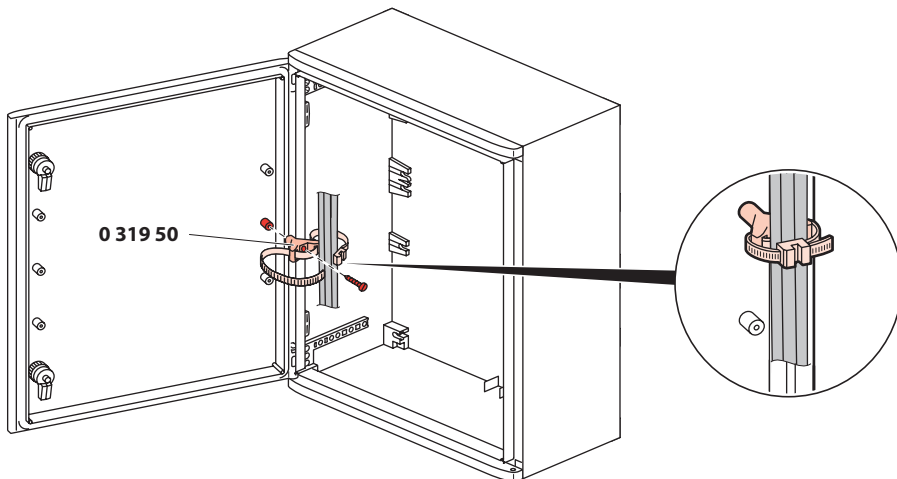
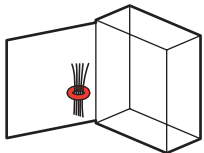
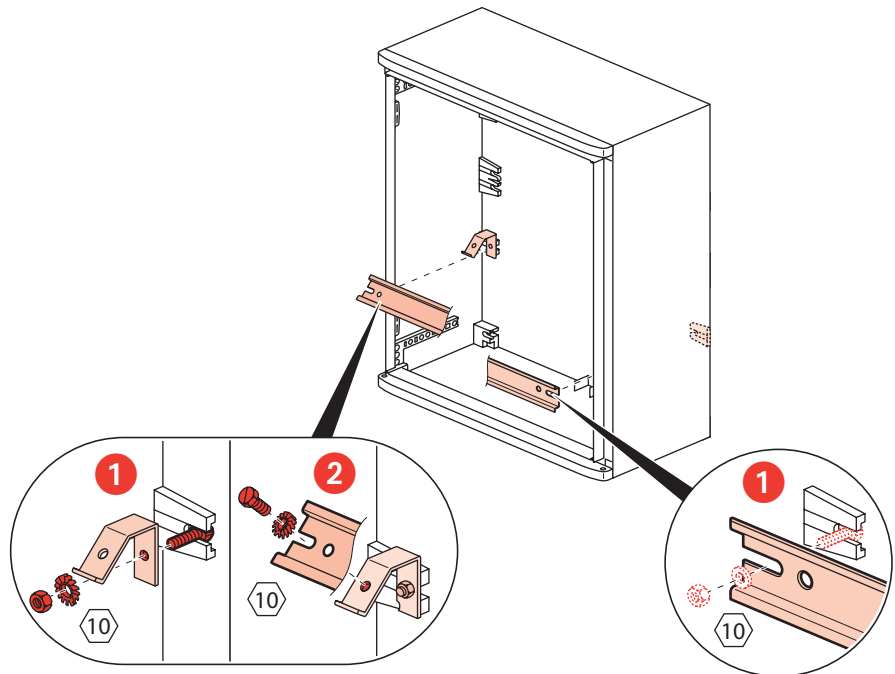
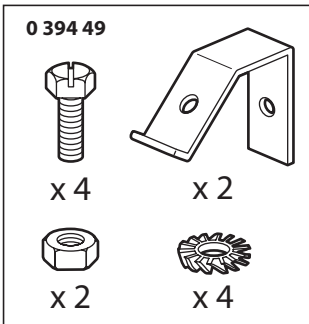
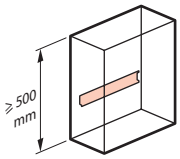
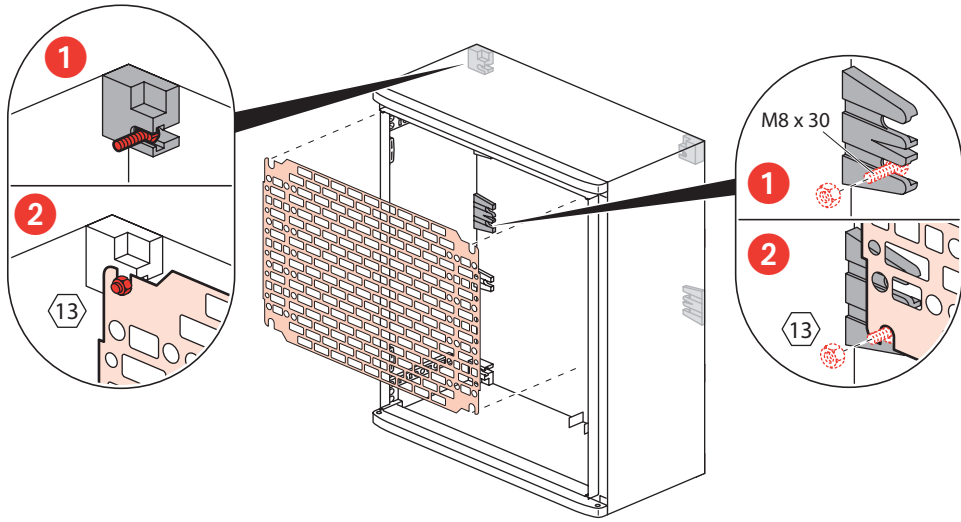
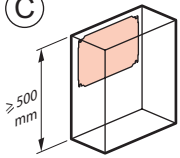


Marina

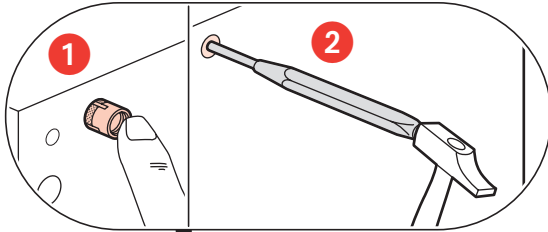
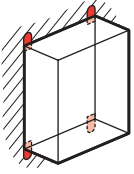




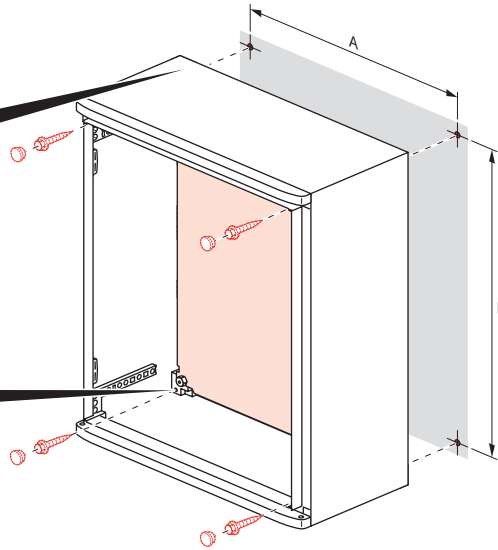
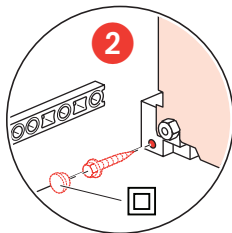
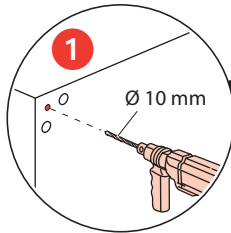
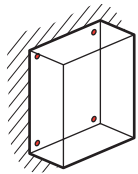
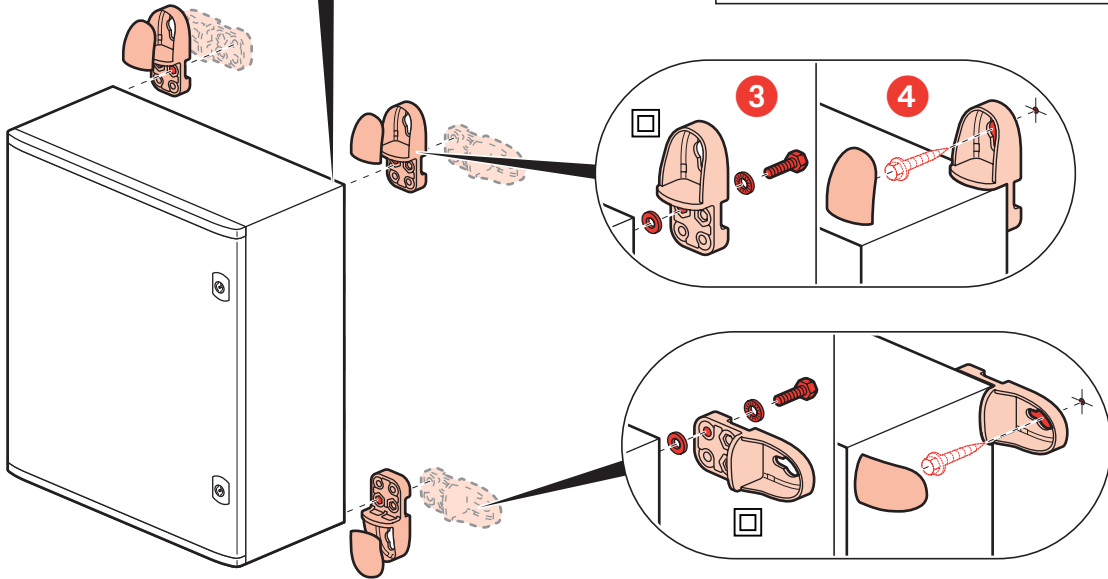
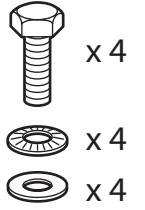
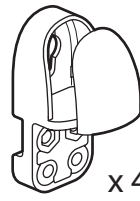
C



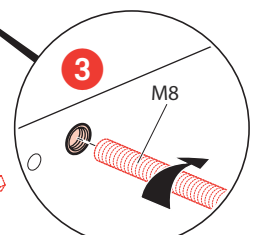
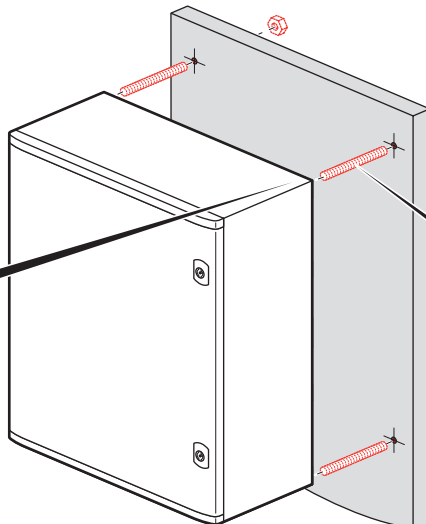
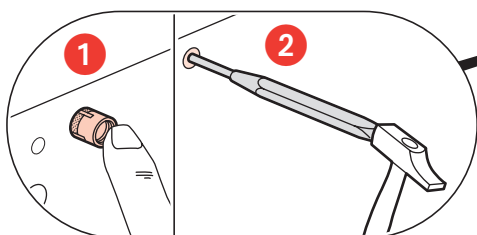
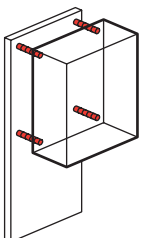
D



0 364 09



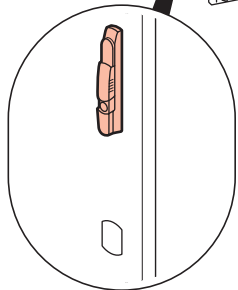
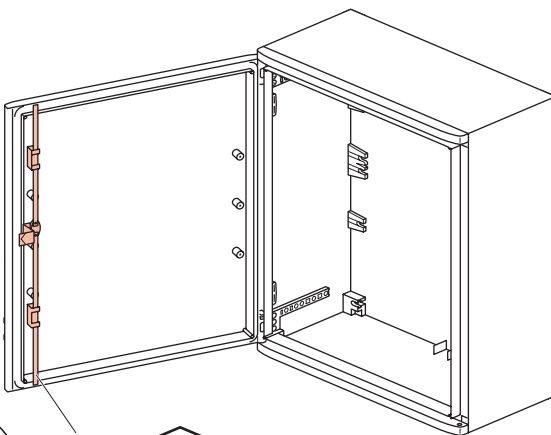
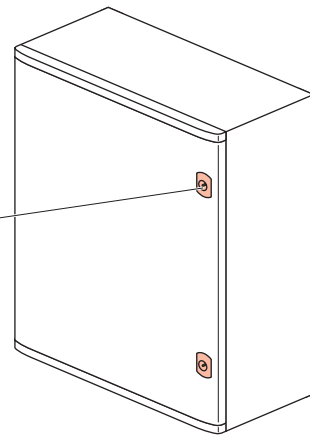
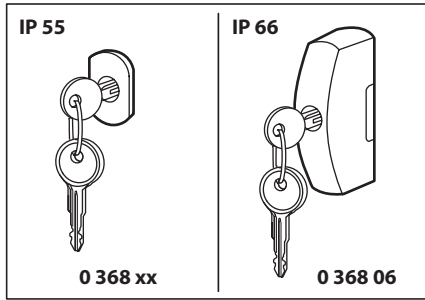
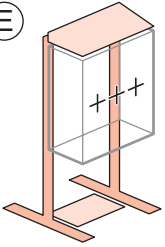
| | A (mm) | B (mm) |
|-------------|--------|--------|
| 0 362 51/71 | 259 | 358 |
| 0 362 52/72 | 359 | 458 |
| 0 362 55/75 | 358 | 558 |
| 0 362 56/76 | 468 | 664 |
| 0 362 61/81 | 568 | 764 |
| 0 362 63/83 | 768 | 964 |
| 0 362 64/84 | 768 | 1164 |



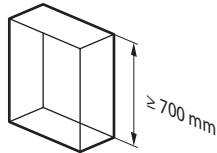
0 362 40



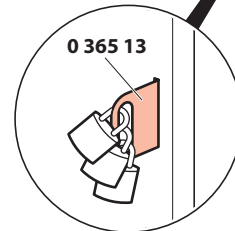
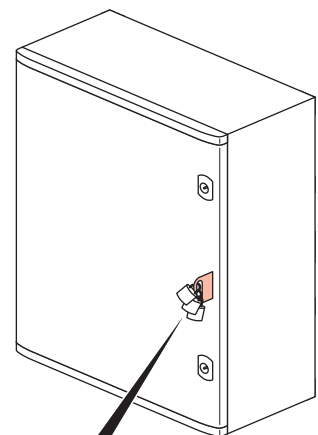
E



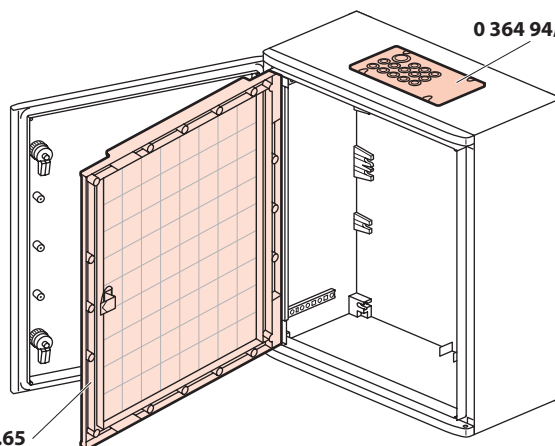
0 368 07



≥ 700 mm

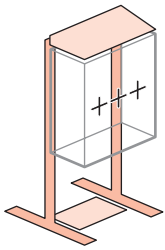


0 365 13

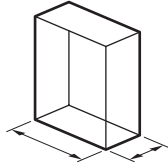


0 364 94/95/96/97 + 0 364 98

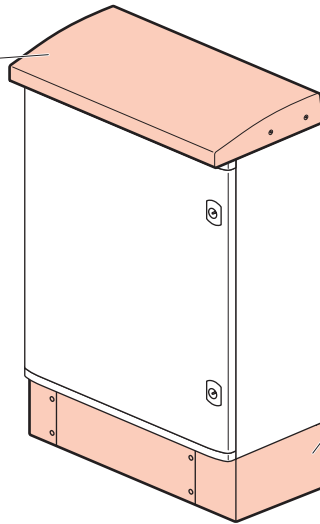
0 363 59...65



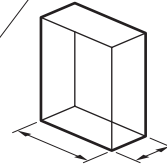
0 362 93/94/95



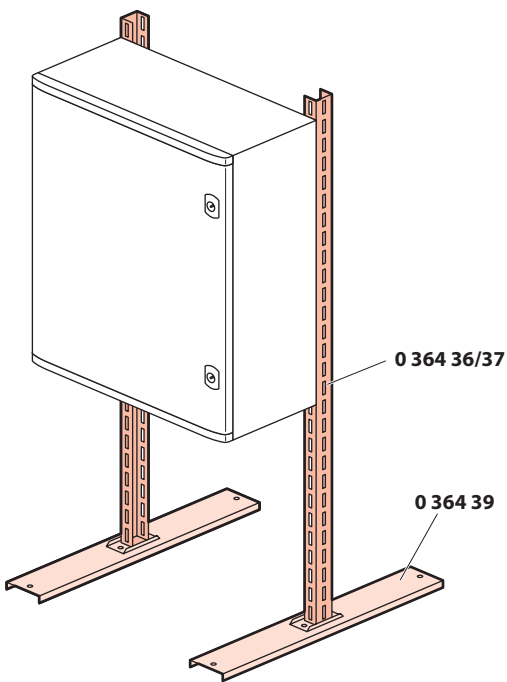
500 x 250 mm
600 x 300 mm
800 x 300 mm



0 362 91/92

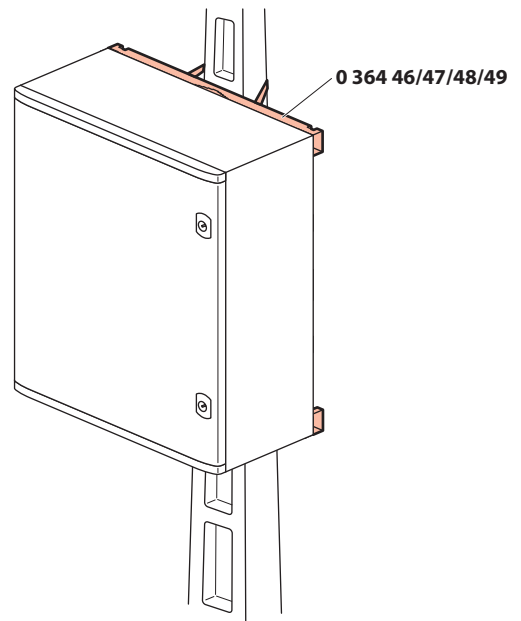


600 x 300 mm
800 x 300 mm

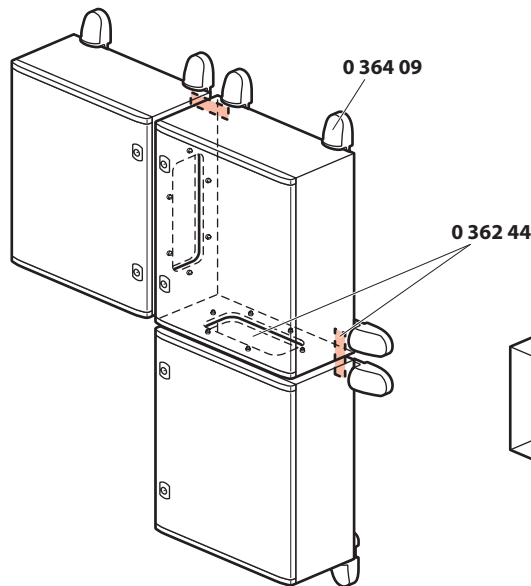


0 364 36/37

0 364 39

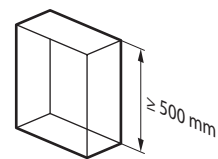


0 364 46/47/48/49



0 364 09

0 362 44



≥ 500 mm